



HEATER - AIR CONDITIONER

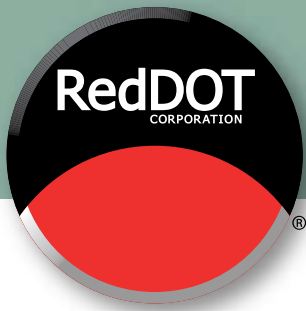
Red Dot Model **R-9777**

**ROOFTOP**

# R-9777



Using the latest in design techniques Red Dot has produced a rugged unit combining European styling with heavy-duty components that will withstand the toughest of installations. The R-9777 Heater/Air conditioner is the first in our industry to employ engineered resin technology. The design sets this unit far beyond the competition in appearance, durability and performance.



**SPECIFICATIONS**

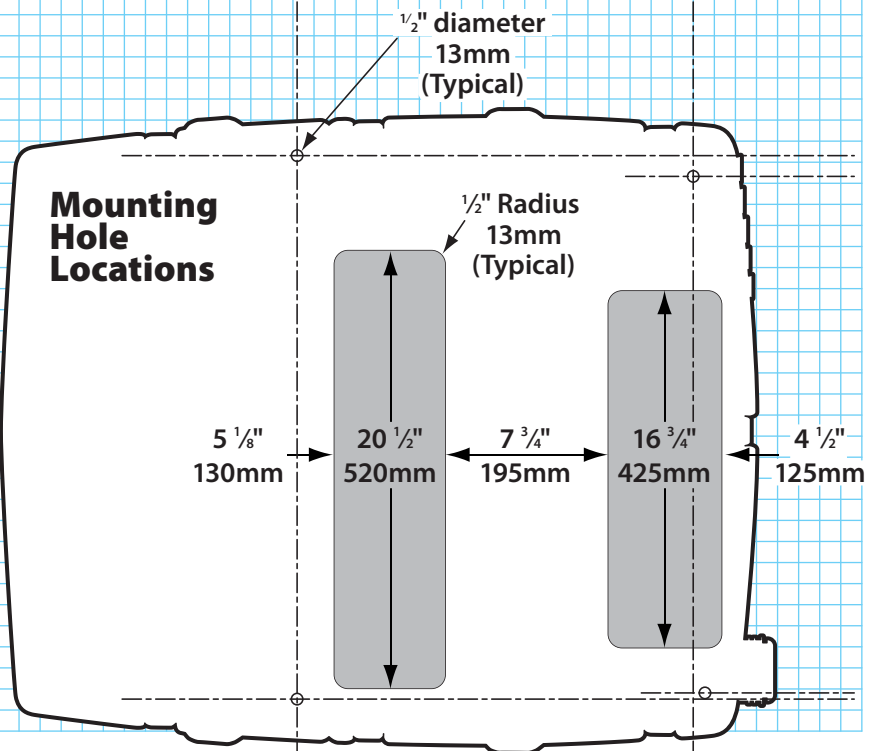
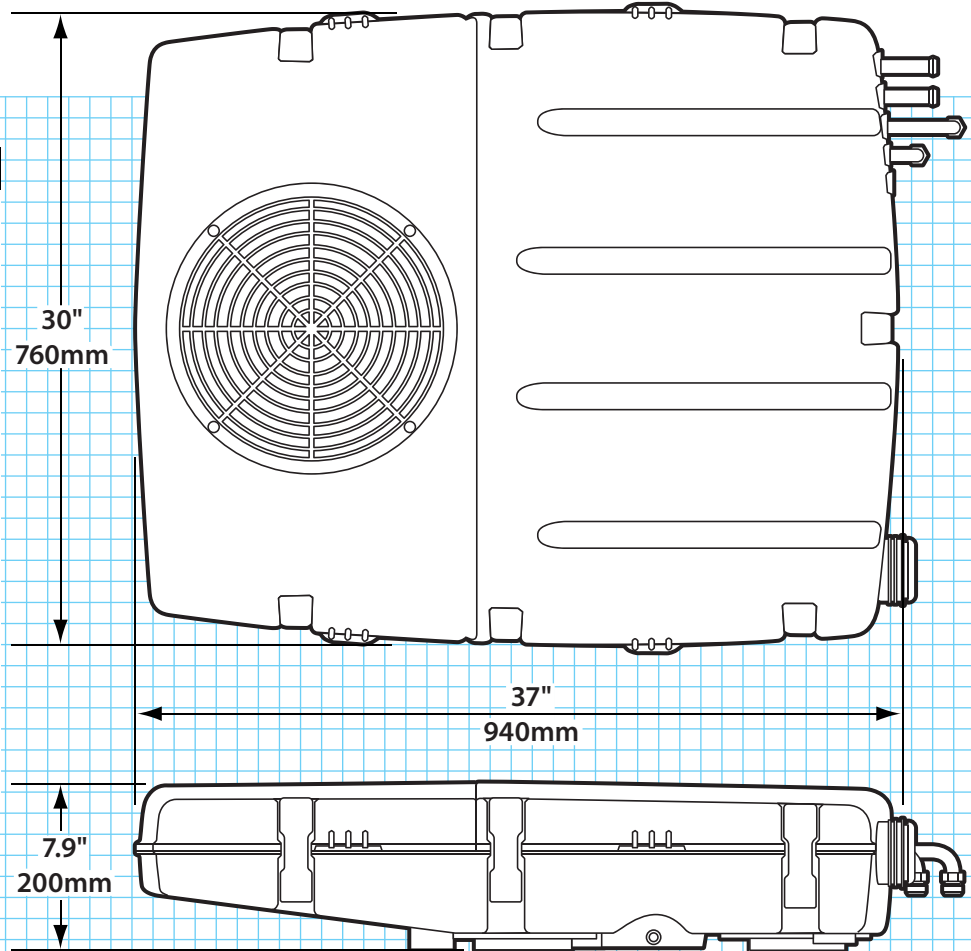
**BTU's Heating** – 45,000 BTU/Hr @ 100°F (13.2 kW @ 37.8°C) air temp. rise  
**Cooling** – 25,000 BTU/Hr with 36°F (7.3 kW with 2.2°C) refrigerant temp. and 80°F (26.7°C) wet bulb entering air

**Air Flow** 355 CFM (580 m3/h)

**Weight** 65 lbs.

**Motors** Evaporator – One 12 VDC, three speed (24 VDC available)  
 Condenser – One 12 VDC low profile (24 VDC available)

**Draw** 38.2 amps @ 13.6 VDC (includes 4 amps for A/C clutch)  
 19.1 amps @ 27.2 VDC (includes 2 amps for A/C clutch)



1 square = 1"